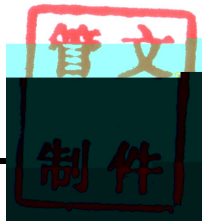


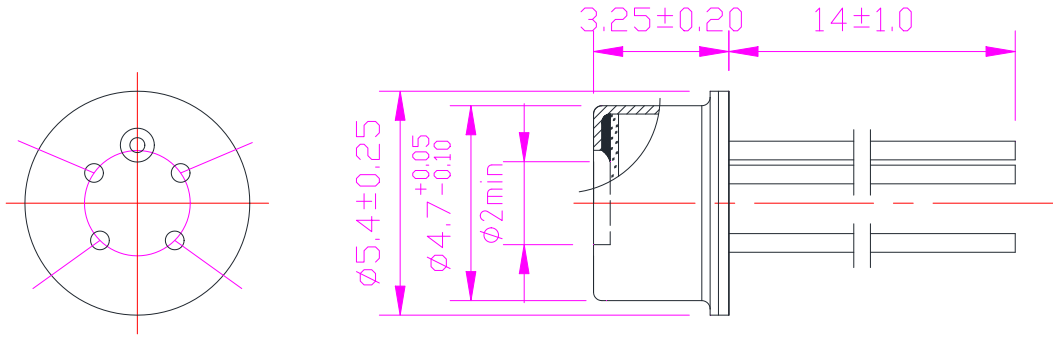
DEYOUNG





--	--	--	--	--	--	--

Mechanical Dimension and Pin Assignment:



BOTTOM VIEW

Order Information:

LD 850nm VCSEL — — — —

--	--	--	--

Statement

Contact Information:
