



## Gbps PIN-TIA 1310nm TO-CAN Series

### Features:

Fcvc tcvgu wr vq 47 Idru0  
 Ukp ing -505X Rqygt Uwr rn{0  
 /62°C vq :7°C Qrgtcvkqp0  
 Fkhgtgpkcn Qwrrwv0  
 Tgegkxgf ukipcn uvtgpivj kpfkecvqt\* TUUK+0  
 kp IcCu RKP Fgvgevt cpf VKC kpukfg0  
 Ykvj 3M tgukvcpeg

### Applications:

Jkij urggt Vgngeqo cpf Fcvcqo0

### Specifications:

#### Absolute Maximum Ratings

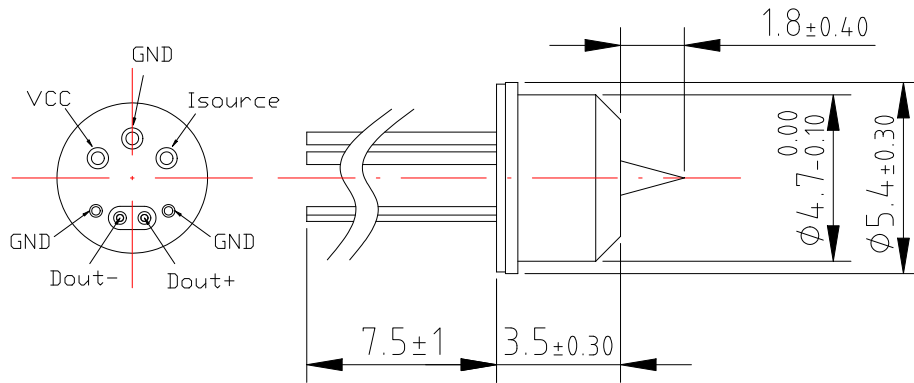
Qrvkecn kprwv Rqygt	R <sub>tp</sub>	—	7	fDo
Qrgtcvkpi Vgo rgtcvwtg	V <sub>qr</sub>	/62	:7	°C
Uvqtci g Vgo rgtcvwtg	V <sub>vi</sub>	/62	:7	°C
Ngcf Uqnfgt Vgo rgtcvwtg	—	—	482	°C
Ngcf Uqnfgtkpi Vkog	—	—	32	u

Uwr rn{ Xqncvieg	Xee	ô	40;9	505	5085	X
Uwr rn{ Ewtgtpv	kee	Xee?505X	ô	48	55	oC
Qrgtcvkpi Ycxngnpi vj	e	Xee?505X	3482	ô	3822	po
TUUK Qhhugv Ewtgtpv	kf	Xee?505X	ô	ô	322	pC
Dcpfykfvj	DY	/5fD	ô	43	ô	I J
Qxgtnqcf	QN	Xee?505X	404	ô	ô	fDo
Ugpukvkv{	Ugp	4709: Idru.RTDU53. 3532po.GT?6fD. DGT?32G/7	ô	ô	/36	fDo
Tgurqpukvkv{	Tgu	3532po	209	ô	ô	ClY
Qrvkecn Tgvwtp Nquu	QTN	3532po	ô	ô	/49	fD



Ocvgtkcnu	Rctv Pw o dgt
RKP RF	2223242448
VKC	22222;2348

### Mechanical Dimension and Pin Assignment:



### Order Information:

□	□	□
<u>J g c f g t V { r g :</u> VQ68	<u>E c r V { r g :</u> Cur : Cur j g t k e N g p u	<u>P w o d g t u q h R k p :</u> 9 r k p

UCP/W qypu vjg cwvjatkv{ hqt hkpcn gznrcpvkqp qh cnn kphqto cvkqp eqpvckpgf kp vjku fqewogpv. yjkej ku uwdlgev vq ejcpig ykvjqww pqvkeg0 Cnn vjg kphqto cvkqp ycu qdvckpgf kp rctvkewact gpvktqogpvu= cpf UCP/W yknn pqv dg tcurqpukdng hqt vjg rgthqto cpeg qh vjg ewuvogtuø cevwcn qrctcvkpi gpvktqogpvu0 Cnn kphqto cvkqp eqpvckpgf ku qpn{ hqt vjg wugtu) tghgtpeg cpf ujcmn pqv dg eqpvkfgtgf cu ycttcepvgf ejtcevgtkuvkeu0 UCP/W yknn pqv dg nkcdng hqt fcocigu ctkukpi fktgevn{ qt kpfktgevn{ yjkej htqo cp{ wug qh vjg kphqto cvkqp eqpvckpgf kp vjku fqewogpv0

Cfftguu< P723/727 Ygk{g Dnfi0. Zkco gp Rkqpggtkpi Retm Hqt Qxgtugcu Ejkpug Uejqnetu. Zkco gp.



文件编号: UW/23/3;/C/29/C:;L

版本: 23

实施日期: 423:033035

第 5 页 共 5 页

Hwlkcp. Ejkpc

Vgn< - :8/7;4/5:;:823. 5:;:82:.. 753:222

Hcz< - :8/7;4/79257::

G o ckn< ucngu B ucp/w0eq o

[jwr<ll y y0ucp/w0eq o](#)